

Poly Deluxe Adirondack Chair Assembly Instructions

2 - (A) Armrest Assembly

2 - (B) Back Legs

1 - (C) Seat Assembly

1 - (D) Back Assembly

Hardware

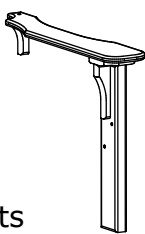
4 - 5/16" x 3" Stainless Wafer Bolts

2 - 5/16" x 2 1/2" Stainless Wafer Bolts

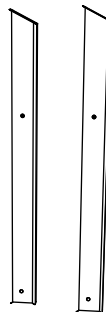
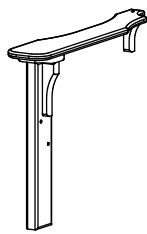
2 - 5/16" x 2" Stainless Wafer Bolts

10 - 2" Screws

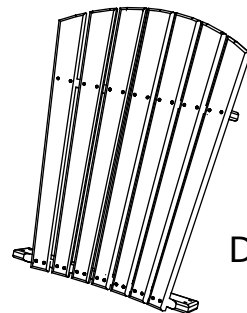
1 - 5/32 Hex Key



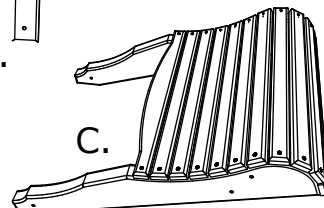
A.



B.

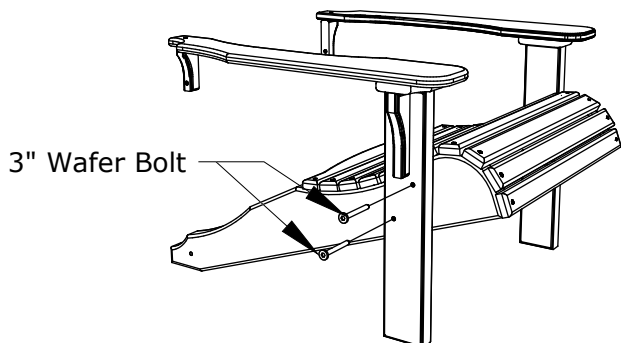


D.

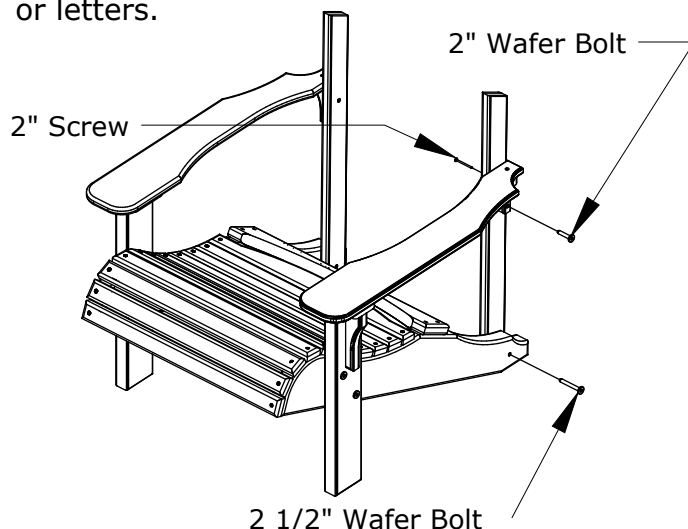


C.

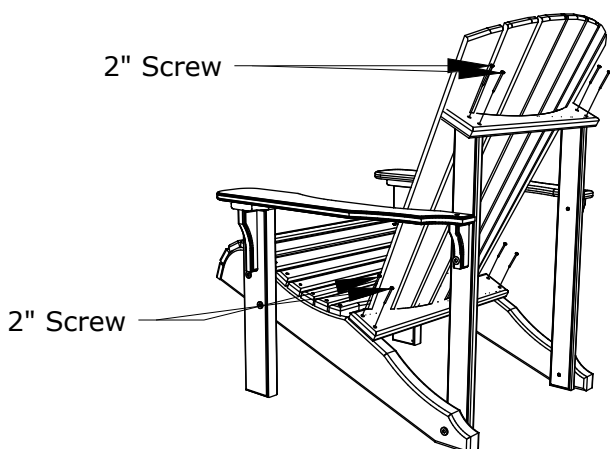
1. Attach (A) Armrest Assembly to (C) Seat Assembly using 2 - 3" Wafer Bolts per side, tighten all Wafer Bolts with included Hex Key. Be sure to match all numbers and or letters.



2. Attach (B) Back Legs using 1 - 2 1/2" Wafer Bolt through (C) seat support, 1 - 2" Wafer Bolt & 1 - 2" Screw through (A) Armrest Assembly per side, tighten all Wafer Bolts with included Hex Key. Be sure to match all numbers or letters.



3. Attach (D) Back Assembly to top of (B) Back Legs & (C) Seat Assembly using 4 - 2" Screws per side. be sure to match all numbers or letters.



LuxCraftTM

FINE OUTDOOR FURNITURE

