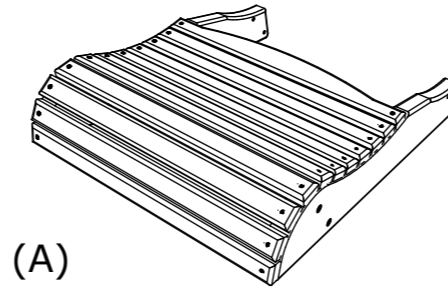


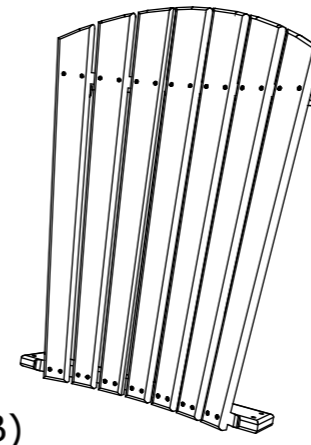
# Royal Adirondack Chair Assembly Instructions

- 1 - (A) Seat Assembly
- 1 - (B) Back Assembly
- 2 - (C) Armrest Assemblies
- 2 - (D) Back Legs

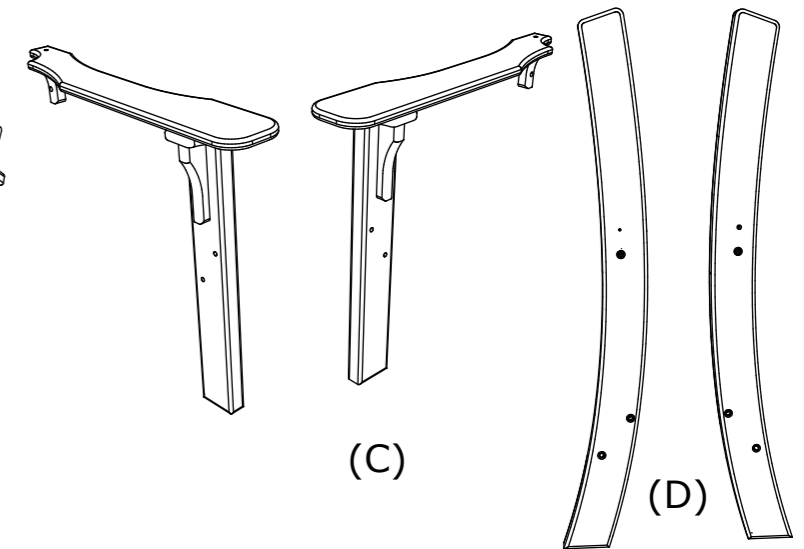
- Hardware
- 8 - 5/16" x 3" Stainless Wafer Bolts
  - 2 - 5/16" x 2 1/2" Stainless Wafer Bolts
  - 2 - 2 1/2" Screws
  - 8 - 2" Screws
  - 1 - 5/32 Hex Key



(A)



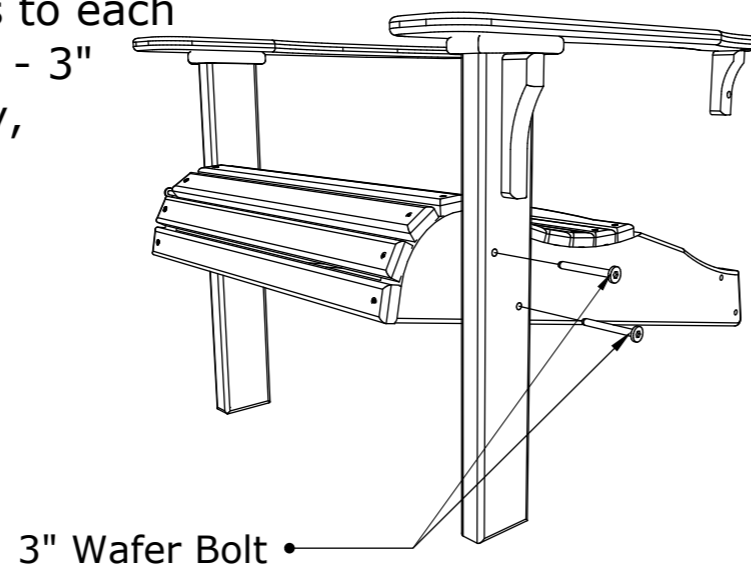
(B)



(C)

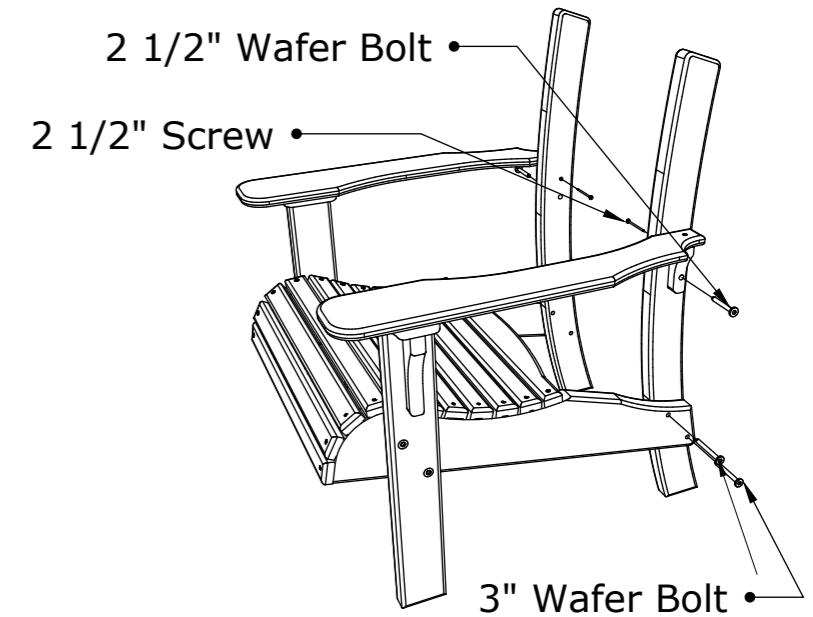
(D)

1. Attach (C) Armrest Assemblies to each side of (A) Seat Assembly using 2 - 3" Wafer Bolts per Armrest Assembly, tighten Wafer Bolts with included Hex Key. Be sure to match all numbers / or letters.



3" Wafer Bolt

2. Attach (D) Back Legs using 1 - 2 1/2" Wafer Bolt, 2 - 3" Wafer Bolts & 1 - 2 1/2" Screw per Back Leg, tighten Wafer Bolts with included Hex Key. Be sure to match all numbers / or letters.

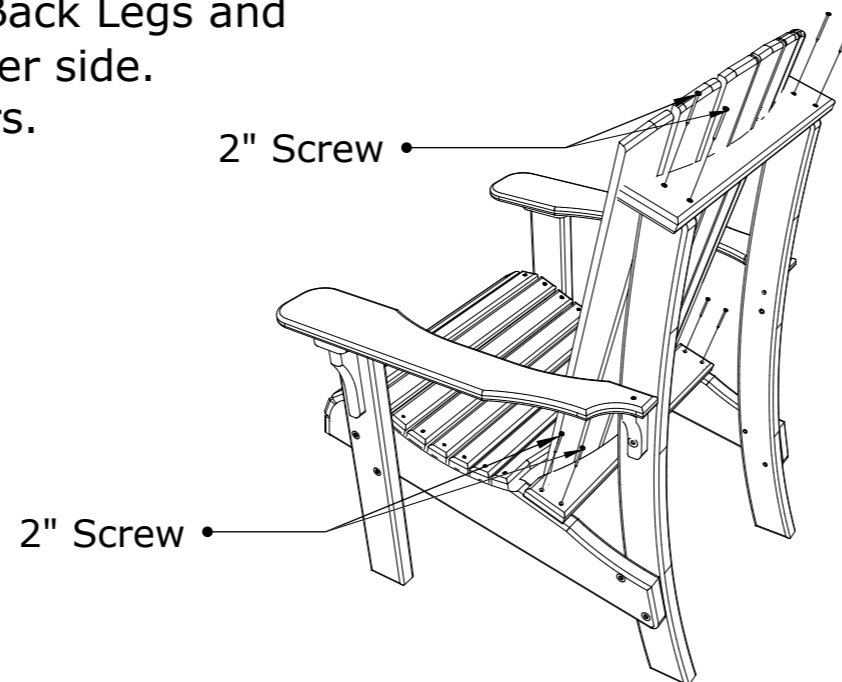


2 1/2" Wafer Bolt

2 1/2" Screw

3" Wafer Bolt

3. Attach (B) Back Assembly to top of Back Legs and on Seat Assembly using 4 - 2" Screws per side. Be Sure to match all numbers / or letters.



2" Screw

2" Screw

